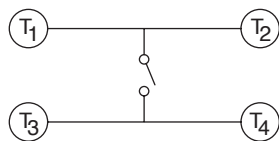
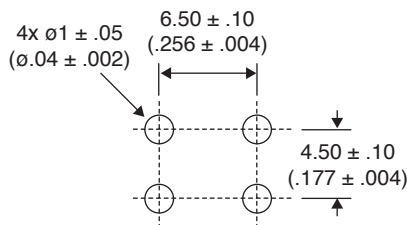
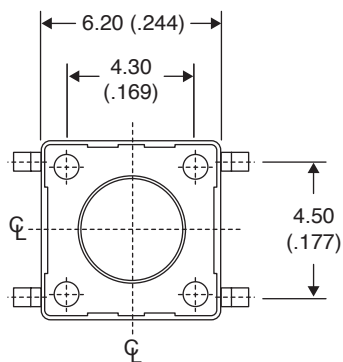
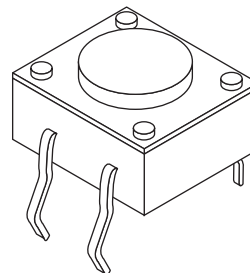


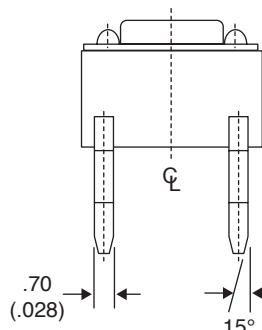
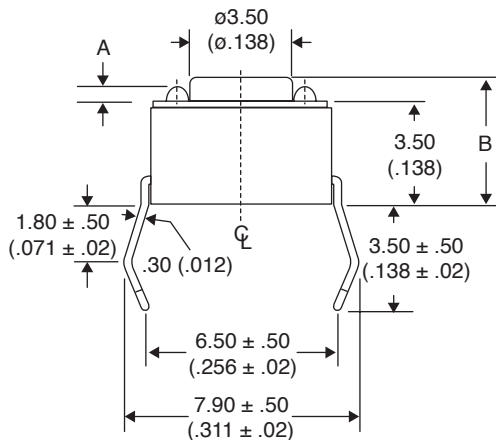
Dimensions: mm (In.)



CIRCUIT DIAGRAM



P.C.B. LAYOUT



Mechanical Specifications:

- Operating Life: 300,000 cycles min.
- Operating Temperature: -25°C to +70°C

Note:

- RoHS Compliant and process compatible with 260° solder

Electrical Specifications:

- Rating: 50mA / 12VDC
- Contact Resistance: 100mΩ max.
- Insulation Resistance: 100MΩ min.
- Dielectric Strength: 250VAC for 1 minute

Mouser Stock No.	Dimensions: mm (In)	
	A Max.	B
101-TS6111T1601-EV	0.5 (.02)	4.3 (.169)
101-TS6111T1602-EV	0.6 (.024)	5.0 (.197)
101-TS6111T1603-EV	0.6 (.024)	7.0 (.275)
101-TS6111T1606-EV	0.6 (.024)	9.5 (.374)
101-TS6111T1607-EV	0.6 (.024)	13.0 (.512)

Tactile Switches

101-TS6111T1601-EV, 101-TS6111T1602-EV,
 101-TS6111T1603-EV, 101-TS6111T1606-EV,
 101-TS6111T1607-EV

